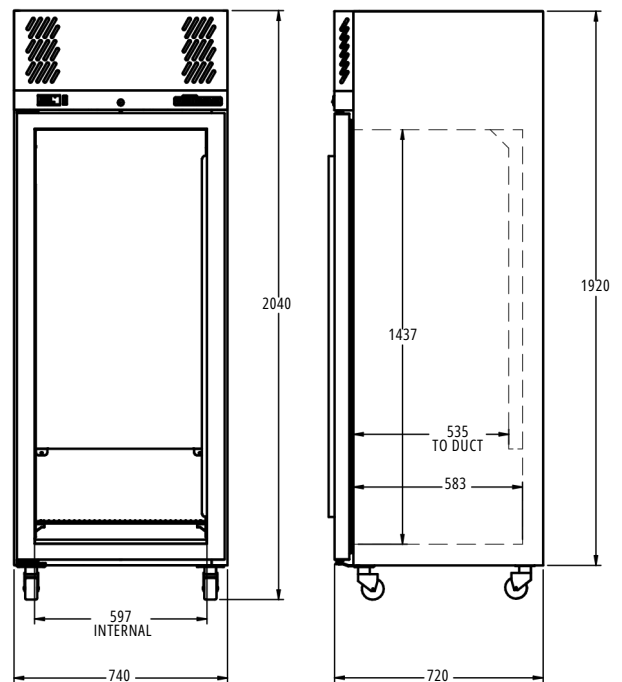
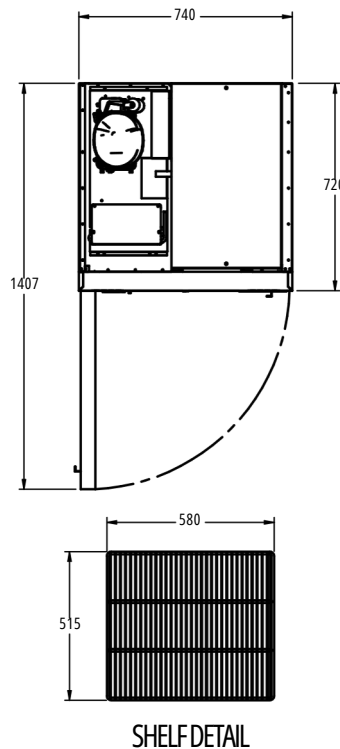
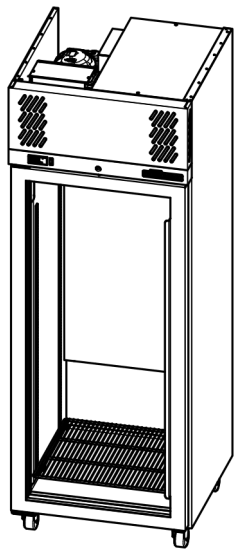


LP1G



CATEGORY	GENERAL UPRIGHTS
RANGE	Pearl
UNIT	FREEZER
TYPE	SELF CONTAINED
DOORS	1



SPECIFICATIONS

CAPACITY LITRES	520
TEMPERATURE	-18°C / -22°C
DIMENSIONS - W X D X H (ON 120 MM H CASTORS) MM	740 W x 720 D x 2040 H
WEIGHT UNPACKED (KG)	160

STANDARD INCLUSIONS ***

DOOR TYPE	G (Glass Door)
FINISH (INTERIOR AND EXTERIOR EXCLUDING REAR AND UNDER)	W (White), B (Black), S (Stainless Steel)
SHELVES/DOOR (ADJUSTABLE STRIPS AND CLIPS)	4

GAS TYPE

REFRIGERANT	R404a
-------------	-------

ELECTRICAL

POWER SUPPLY	10 amp
POWER CABLE LENGTH (METRES)	2
RUNNING AMPS	4.7

PERFORMANCE

KWH/24H READING	20.2
TEST STANDARD	ISO 23953 (Display)
TEST CONDITIONS	3 L1
AMBIENT RATING	38°C

REFRIGERATION WATTAGES FOR OPTIONAL REMOTE UNITS

FREEZER MODELS - GLASS DOORS (R404A)	1050 @ -30°C SST
--------------------------------------	------------------